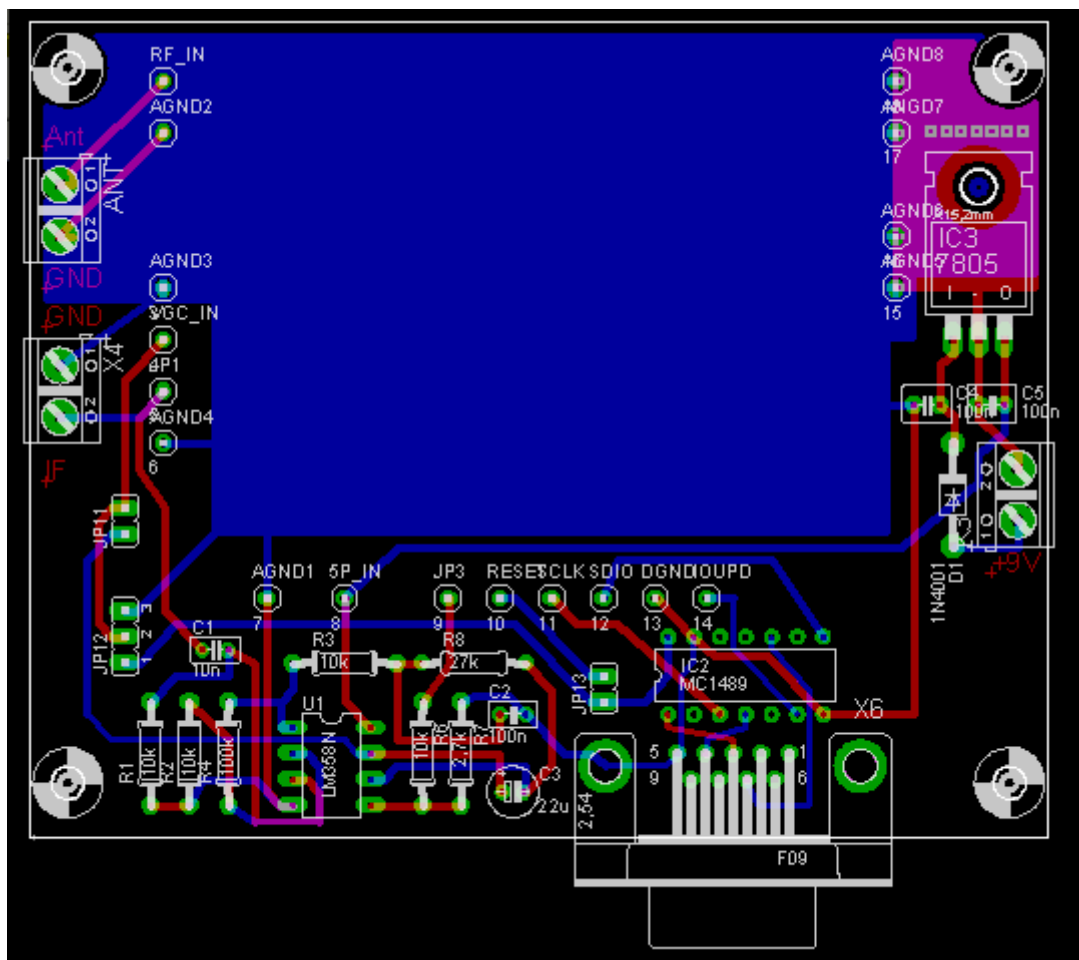
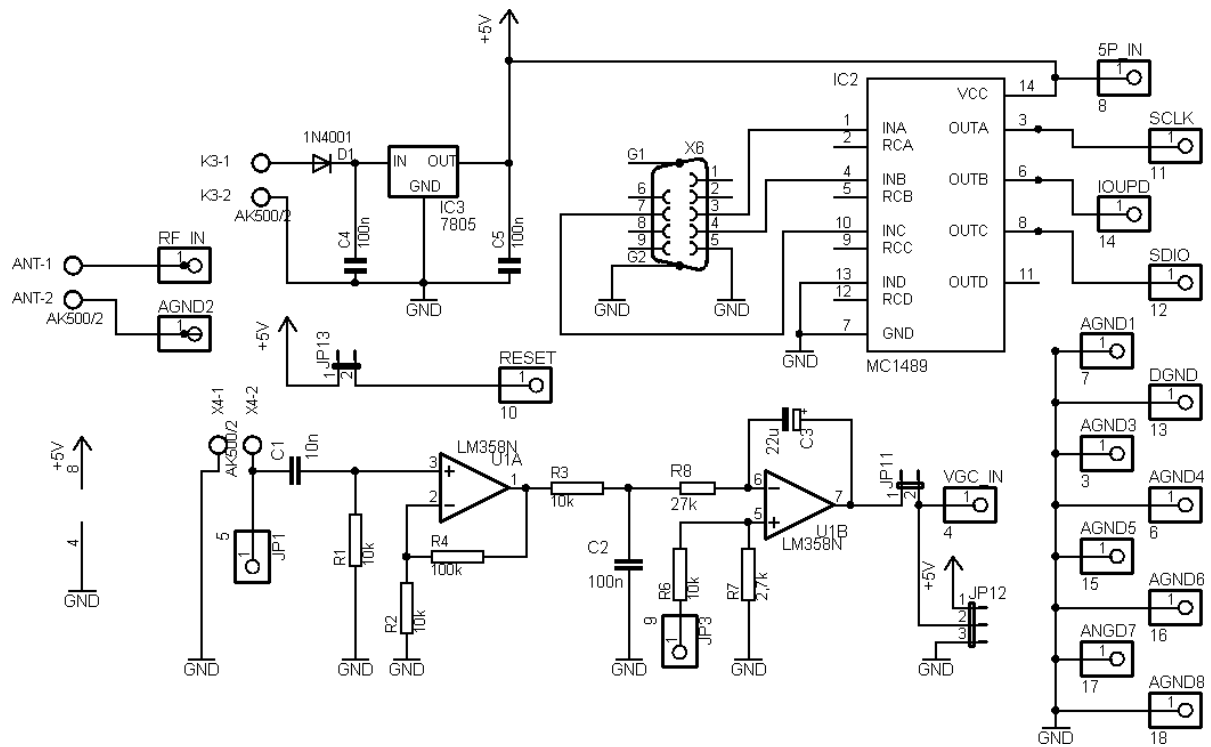


Description of Eval Board for DRT1



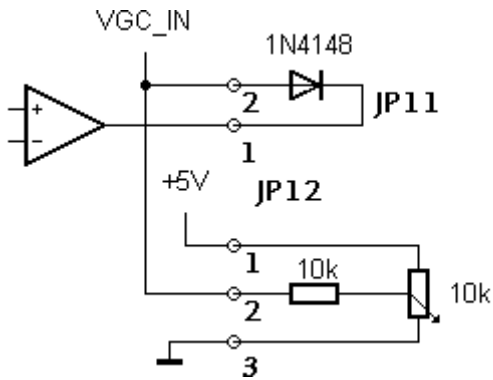
Use not more than +9V power supply. More than 9V needs placement of an additional heat sink to the voltage regulator.

Use a full wired and not twisted (not crossed Rx Tx) RS232 cable or connect the board direct to the RS232 without cable. Additional tuning hardware shaft encoder for G8JCF software is supported by loss of RS232 reread bridges at the board.

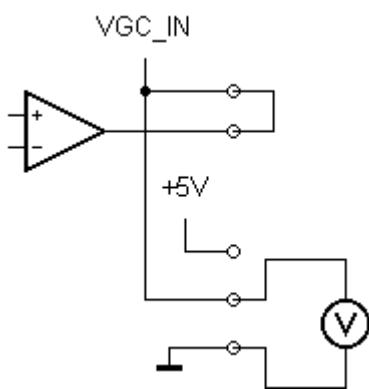
The eval board does not protect the antenna input of DRT1 against overload.. If this is needed (atmospherics by use of long wire antennas) an additional limiter (by example 4 pieces fast si- diodes wired 2p. in serial and each anti parallel to the antenna input) is recommended. Otherwise danger of destruction of the mixer circuit by atmospherics occurs.

For use of the hardware full range AGC short jumper JP11. By use of external AGC (by example from D/A- converter output) open jumper J11 and inject control voltage into pin 2 of JP12.

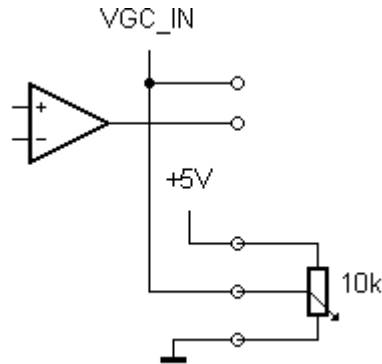
JP12 allows several gain control circuits:



AGC with manual limiting of maximum gain



full range AGC (standard circuit)



manual or external gain control